

ARCA 304021



Sample image

Order symbol : ARCA 304021

Product nr : 8120023

Description : Cabinet, PC

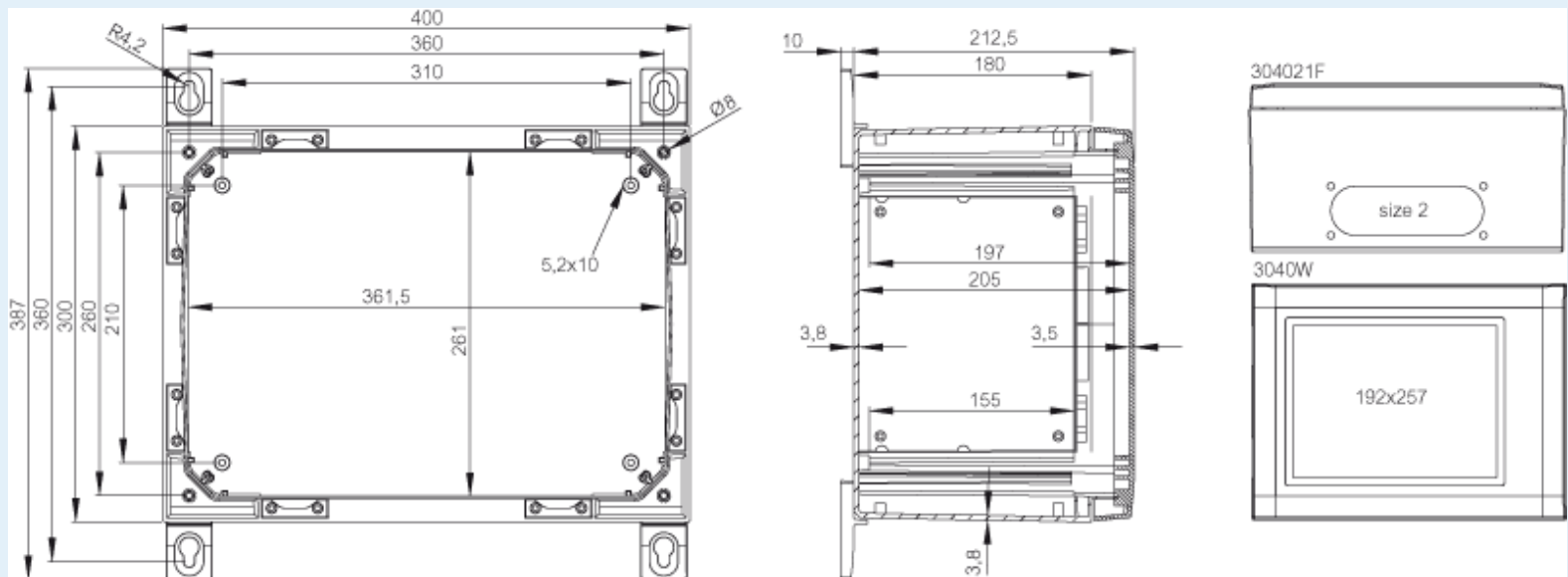
Remarks : Grey cover, 2-point locking, hinges on the short side

EAN : 6418074079343

El. number :

- Finland : 3423120
- Denmark : 8212091210
- Sweden : 2500113

Including : Cabinet base. door with PUR gasket. mounting plate. screws for mounting plate. 3mm double bit lock(s) with key. S versions with swinghandle 2-point locking system. Door guide included.



| Dimensions : | Height | Width | Depth |
|--------------|--------|-------|-------|
| mm : | 300 | 400 | 210 |
| inch : | 11.81 | 15.75 | 8.27 |

Materials :

| | |
|-------------------|----------------------|
| Material : | Polycarbonate |
| Base colour : | RAL 7035 -light grey |
| Cover colour : | RAL 7035 -light grey |
| Gasket material : | Polyurethane |

Accessories :

| | |
|-----------------|---|
| DRS ARCA 304021 | DIN rail frame set (385 x 285 x 35) |
| SBK ARCA 30 | Support bar kit (235 x 40 x 30) |
| DSP ARCA HRS | Door stopper ARCA, horizontal, right, small |
| DSP ARCA HLS | Door stopper ARCA, horizontal, left, small |
| SBK ARCA 40 | Support bar kit (340 x 40 x 30) |

Temperatures :

| | |
|-------------------------------|-------------|
| Temperature °C (short term) : | -40 ... 120 |
| Temperature °C (continuous) : | -40 ... 80 |
| Temperature °F (short term) : | -40 ... 250 |
| Temperature °F (continuous) : | -40 ... 175 |

| | |
|-------------------|--|
| IDS ARCA 3040 | Inner door set (285 x 385 x 35) |
| RCS ARCA 3040 | Rain canopy set for size 3040 (20 x 400 x 30) |
| PMK ARCA 40 | PoleMounting kit, for pole \varnothing 100-300mm (385 x 285 x 35) |
| MPP ARCA 3040 | Mounting plate perforated (350x250x2 mm - 26x11 mm) (250 x 350 x 2) |
| MPMP ARCA 4030 | Mounting plate multiperforated (350x250x2 mm - \varnothing 3.6 mm) (350 x 250 x 2) |
| MPS ARCA 4030 | Mounting plate (350x250x2 mm) (350 x 250 x 2) |
| MPX ARCA 4030 | Mounting plate (350x250 mm) (350 x 250 x 5) |

Rating :

| | |
|---|-----------------------------|
| Ingress protection (EN 60529): | IP66; |
| Impact Resistance (EN 62262): | IK10; |
| Electrical insulation : | Totally insulated |
| Halogen free (DIN/VDE 0472, Part 815): | 1 |
| UV resistance : | UL 508 |
| Flammability Rating : | UL 94 5VA |
| Glow Wire Test (IEC 695-2-1) °C : | 960 °C |
| NEMA Class | NEMA 1, 4, 4X, 12 and 13 |

Certificates :

Certificate FI 40467