

# ARCA 504021



Sample image

**Order symbol :** ARCA 504021

**Product nr :** 8120011

**Description :** Cabinet, PC

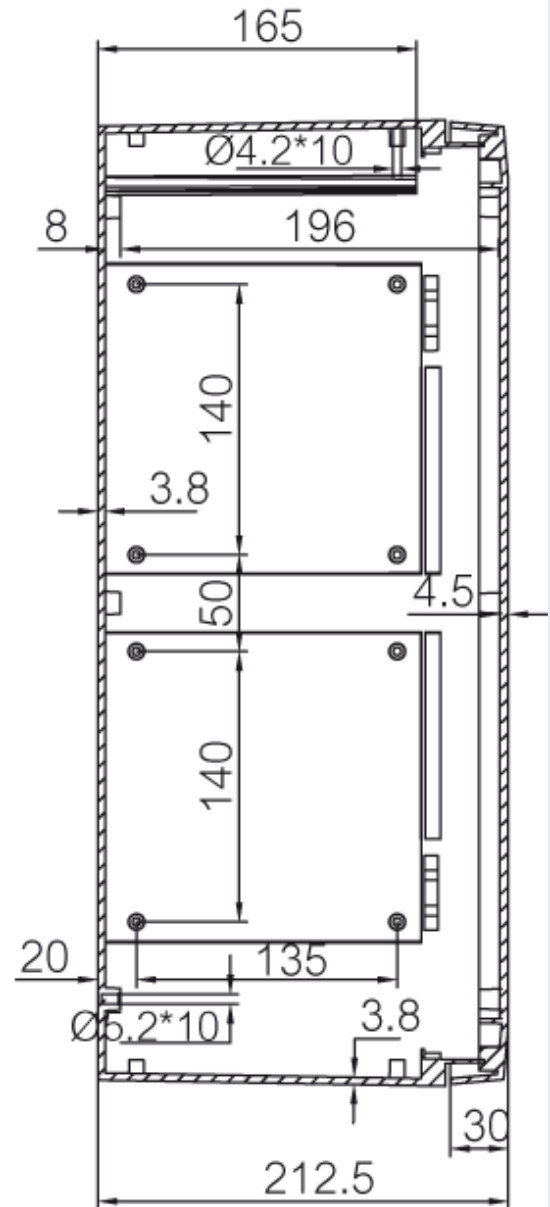
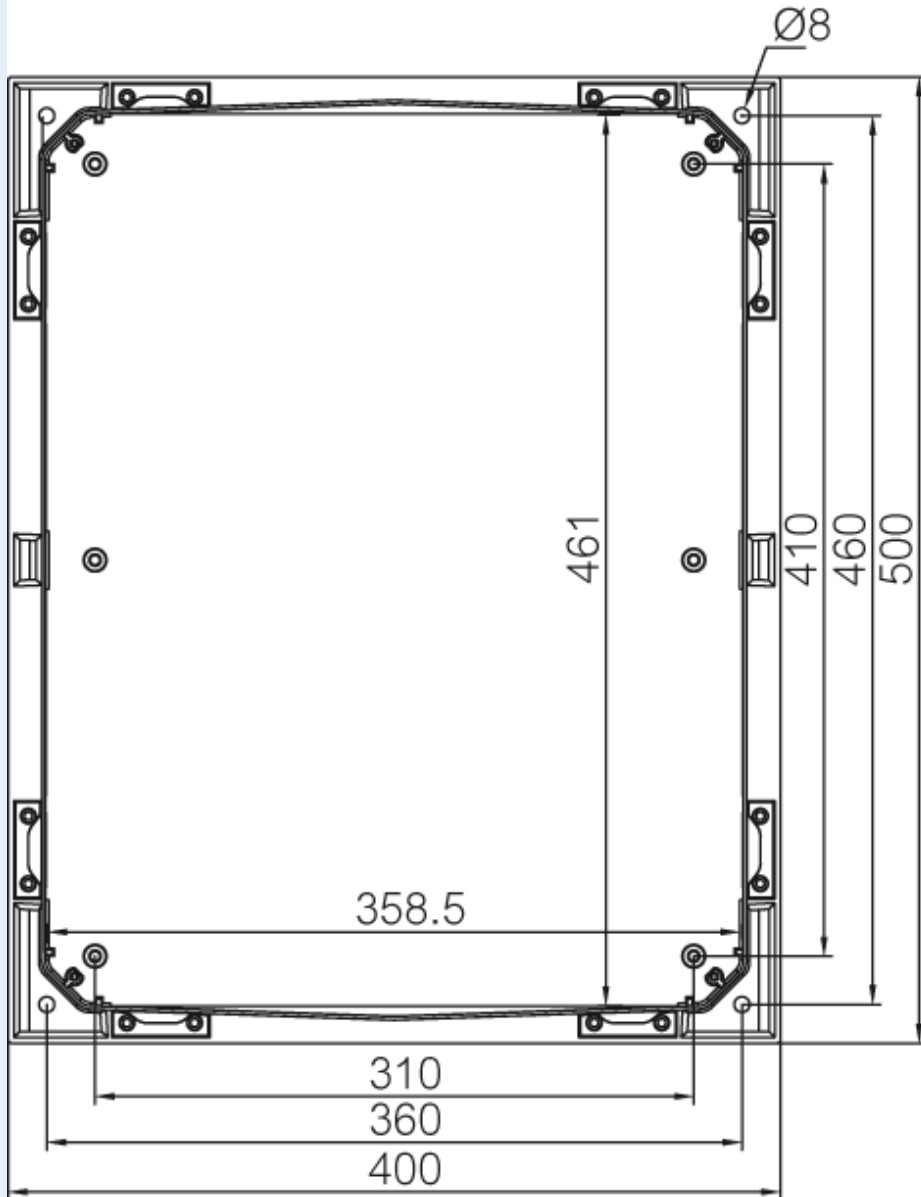
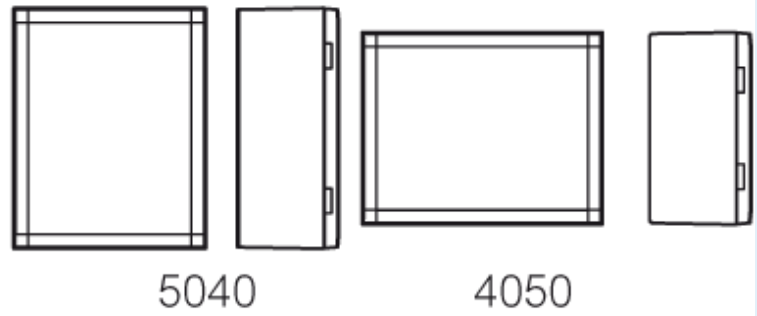
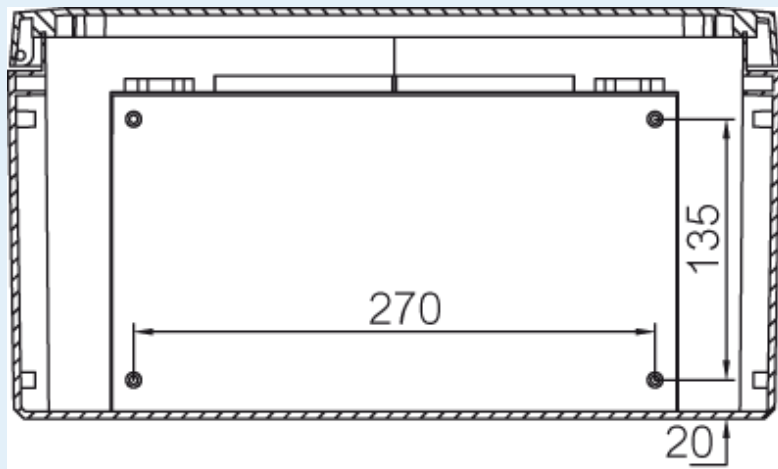
**Remarks :** Grey cover, 2-point locking, hinges on the long side

**EAN :** 6418074079220

**El. number :**

- Finland : 3423099
- Denmark : 8212091090
- Sweden : 2500116

**Including :** Cabinet base. door with PUR gasket. mounting plate. screws for mounting plate. 3mm double bit lock(s) with key. S versions with swinghandle 2-point locking system. Door guide included.



504021

| Dimensions : | Height | Width | Depth |
|--------------|--------|-------|-------|
| mm :         | 500    | 400   | 210   |
| inch :       | 19.69  | 15.75 | 8.58  |

**Accessories :**

- SBK ARCA 50 Support bar kit (435 x 40 x 30)
- IDS ARCA 5040 Inner door set (485 x 385 x 35)

**Materials :**

|                   |                      |
|-------------------|----------------------|
| Material :        | Polycarbonate        |
| Base colour :     | RAL 7035 -light grey |
| Cover colour :    | RAL 7035 -light grey |
| Gasket material : | Polyurethane         |

**Temperatures :**

|                               |             |
|-------------------------------|-------------|
| Temperature °C (short term) : | -40 ... 120 |
| Temperature °C (continuous) : | -40 ... 80  |
| Temperature °F (short term) : | -40 ... 250 |
| Temperature °F (continuous) : | -40 ... 175 |

|                    |   |
|--------------------|---|
| MPX ARCA<br>5040   | Mounting plate (450x350 mm)<br>(450 x 350 x 5)                                |
| MPMP ARCA<br>5040  | Mounting plate multiperforated (450x350x2<br>mm - ø3.6 mm)<br>(450 x 350 x 2) |
| SBK ARCA 40        | Support bar kit<br>(340 x 40 x 30)  |
| MPP ARCA<br>5040   | Mounting plate perforated (450x350x2 mm -<br>26x11 mm)<br>(450 x 350 x 2)     |
| DRS ARCA<br>504021 | DIN rail frame set<br>(485 x 385 x 35)  |
| PMK ARCA 40        | PoleMounting kit, for pole ø100-300mm<br>(385 x 285 x 35)                     |
| DSP ARCA<br>VLS    | Door stopper ARCA, vertical, left, small                                      |
| MPS ARCA<br>5040   | Mounting plate (450x350x2 mm)<br>(450 x 350 x 2)                              |
| RCS ARCA<br>5040   | Rain canopy set for size 5040<br>(20 x 400 x 30)                              |
| DSP ARCA<br>VRS    | Door stopper ARCA, vertical, right, small                                     |

**Rating :**

|   |                             |
|---|-----------------------------|
| Ingress protection (EN 60529):            | IP66;                       |
| Impact Resistance (EN 62262):             | IK10;                       |
| Electrical insulation :                   | Totally insulated           |
| Halogen free (DIN/VDE 0472, Part<br>815): | 1                           |
| UV resistance :                           | UL 508                      |
| Flammability Rating :                     | UL 94 5VA                   |
| Glow Wire Test (IEC 695-2-1) °C :         | 960 °C                      |
| NEMA Class                                | NEMA 1, 4, 4X, 12 and<br>13 |

**Certificates :**

Certificate FI 40467