

ARCA 203015



Sample image

Order symbol : ARCA 203015

Product nr : 8120020

Description : Cabinet, PC

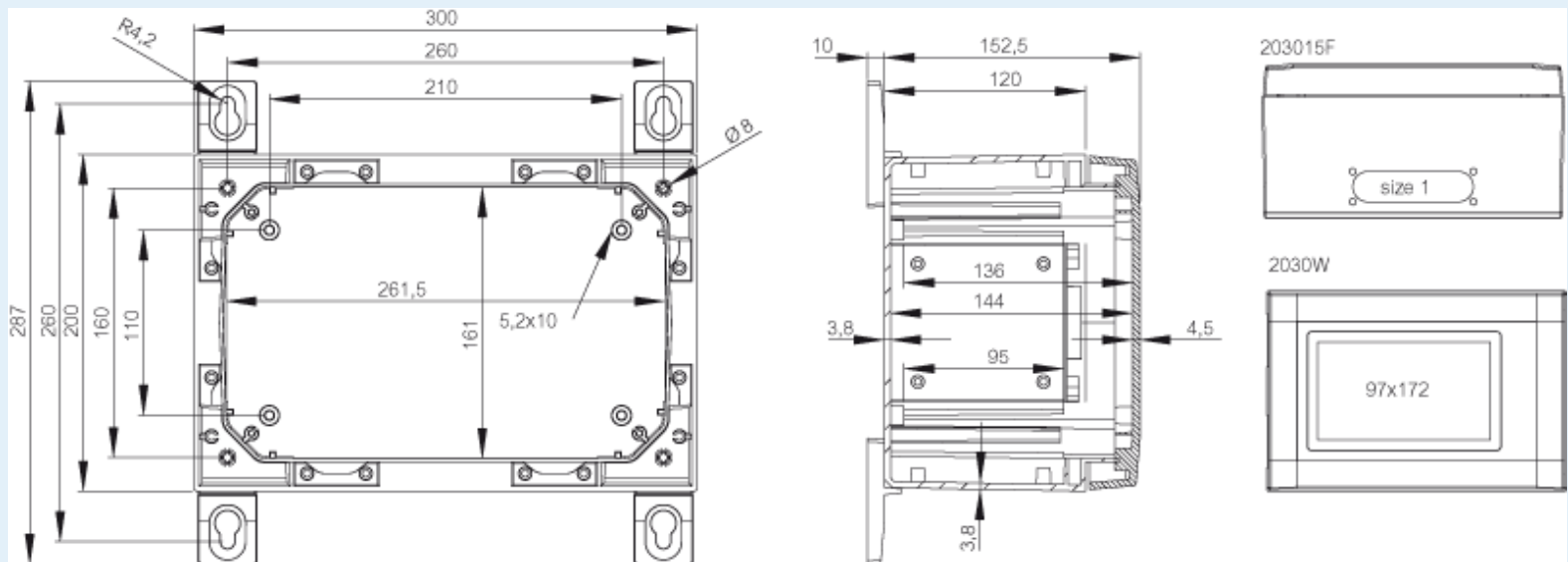
Remarks : Grey cover, 1-point locking, hinges on the short side

EAN : 6418074079312

El. number :

- Finland : 3423117
- Denmark : 8212091184
- Sweden : 2500109

Including : Cabinet base. door with PUR gasket. mounting plate. screws for mounting plate. 3mm double bit lock(s) with key. S versions with swinghandle 2-point locking system. Door guide included.



Dimensions :	Height	Width	Depth
mm :	200	300	150
inch :	7.87	11.81	6.22

Materials :

Material :	Polycarbonate
Base colour :	RAL 7035 -light grey
Cover colour :	RAL 7035 -light grey
Gasket material :	Polyurethane

Accessories :

MPMP ARCA 3020	Mounting plate multiperforated (250x150x2 mm - \varnothing 3.6 mm) (250 x 150 x 2)
IDS ARCA 2030	Inner door set (185 x 285 x 35)
MPP ARCA 2030	Mounting plate perforated (250x150x2 mm - 26x11 mm) (150 x 250 x 2)
SBK ARCA 20	Support bar kit (140 x 40 x 30)
MPS ARCA 3020	Mounting plate (250x150x2 mm) (250 x 150 x 2)

Temperatures :

Temperature °C (short term) :	-40 ... 120
Temperature °C (continuous) :	-40 ... 80
Temperature °F (short term) :	-40 ... 250
Temperature °F (continuous) :	-40 ... 175

SBK ARCA 30	Support bar kit (235 x 40 x 30)
DRS ARCA 203015	DIN rail frame set (285 x 185 x 35)
RCS ARCA 2030	Rain canopy set for size 2030 (20 x 300 x 30)
PMK ARCA 30	PoleMounting kit, for pole \varnothing 100-300mm (385 x 285 x 35)
MPX ARCA 3020	Mounting plate (250x150 mm) (250 x 150 x 5)

Rating :

Ingress protection (EN 60529):	IP66;
Impact Resistance (EN 62262):	IK10;
Electrical insulation :	Totally insulated
Halogen free (DIN/VDE 0472, Part 815):	1
UV resistance :	UL 508
Flammability Rating :	UL 94 5VA
Glow Wire Test (IEC 695-2-1) °C :	960 °C
NEMA Class	NEMA 1, 4, 4X, 12 and 13

Certificates :

Certificate FI 40467