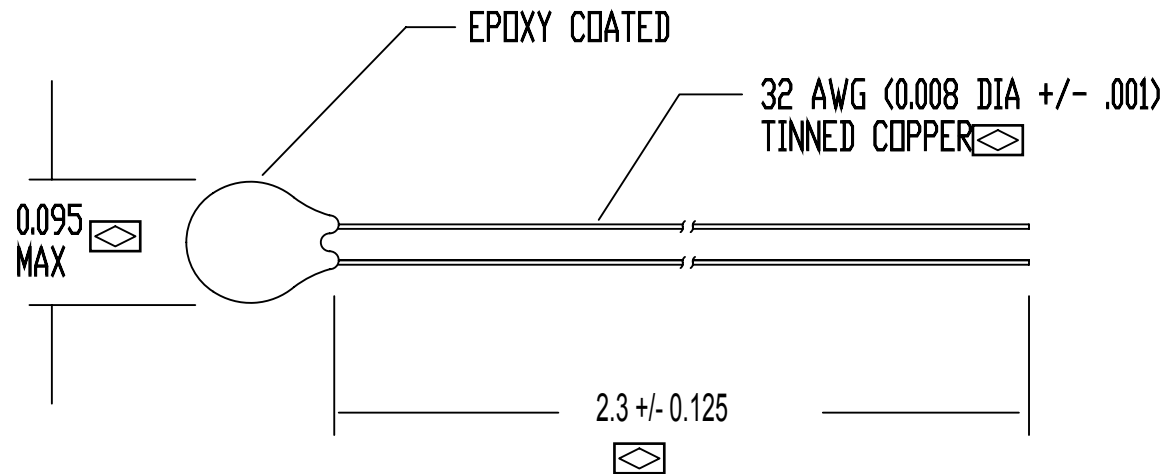


REV	DATE	ECO#
A	06/20/01	22426
B	10/18/04	27142

DRAWING NOT TO SCALE
ALL DIMENSIONS IN INCHES

CAD# SHEET 1 = ACC003
SHEET 2 = 2ACC003




SPECIFICATIONS:

- ◇ RESISTANCE AT 25 DEG C = 5,000 OHMS (SEE R/T TABLE ON SHEET 2)
- TEMPERATURE TOLERANCE FROM 0 DEG TO 70 DEG C = +/- 0.2 DEG C
- DISSIPATION CONSTANT = 1 mWATT/DEG C MINIMUM
- TIME CONSTANT = 10 SECONDS NOMINAL
- ◇ EPOXY COLOR CODE = ORANGE
- ◇ THERMISTOR CHIP SHALL NOT BE EXPOSED THROUGH THE ENCAPSULATION

NOTE: QA CRITICAL DIMENSIONS / INSPECTIONS / TESTS
ARE INDICATED BY A DIAMOND.

WARNING: USE HEAT SINKS WHEN SOLDERING
TO THERMISTOR LEADS

DRAWN BY S. TAPIA		 Circuit Protection Thermistors
DATE 06/25/91		
REV B	APP	ACCU-CURVE THERMISTOR
SHEET 1 OF 2		ACC-003


DRAWING NOT TO SCALE
ALL DIMENSIONS IN INCHES

REV	DATE	ECD#
A	09/15/05	28472

CAD# SHEET 1 = ACCX003
SHEET 2 = 2ACCX003

RESISTANCE VS. TEMPERATURE TABLE				
TEMPERATURE (DEG C)	RESISTANCE LIMITS (OHMS)			TEMPERATURE ACCURACY (+/- DEG C)
	MINIMUM	NOMINAL	MAXIMUM	
-40		168,250		
-30		88,500		
-20		48,535		
-10		27,665		
0 \diamond	16,159.3	16,325	16,492.6	0.2
10	9,855.1	9,950.0	10,046.0	0.2
20	6,188.9	6,245.0	6,301.7	0.2
25	4,956.3	5,000.0	5,044.0	0.2
30	3,994.4	4,028.5	4,063.0	0.2
40	2,642.0	2,663.3	2,684.8	0.2
50	1,787.9	1,801.5	1,815.3	0.2
60	1,235.1	1,244.0	1,253.0	0.2
70 \diamond	870.0	876.00	882.0	0.2
80		627.50		
90		457.65		
100		339.15		
110		255.15		
120		194.65		
130		150.47		
140		117.64		
150		92.985		

NOTE: QA CRITICAL DIMENSIONS / INSPECTIONS / TESTS
ARE INDICATED BY A DIAMOND \diamond

DRAWN BY L. GUTIERREZ		 Circuit Protection Thermistors
DATE: 09/15/05		
REV A	APP	ACCU-CURVE THERMISTOR
SHEET 2 OF 2		ACCX-003